

**Volkswagen > Jetta > 2005-2008**  
**Engine Mechanical, Fuel Injection and Ignition Engine Codes**  
**BGP,BGQ,BTK,CBTA,CBUA,CCCA**  
**13 - Removal and Installation**

## Brake Booster Vacuum Pump

### Special tools, testers and auxiliary items required

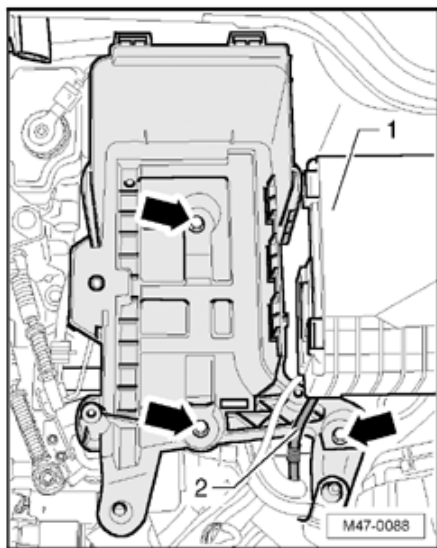
- ▶ Torque wrench V.A.G 1331

#### Note:

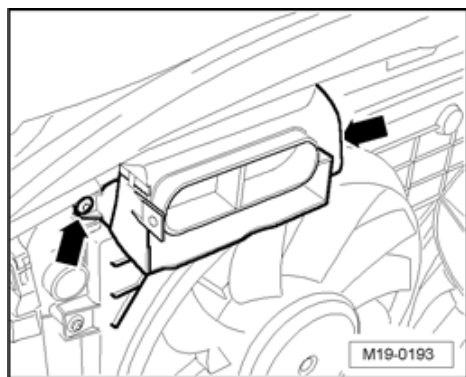
- ◆ Due to reasons of installation requirements, the transmission must be removed in vehicles with automatic transmission.

#### Removing

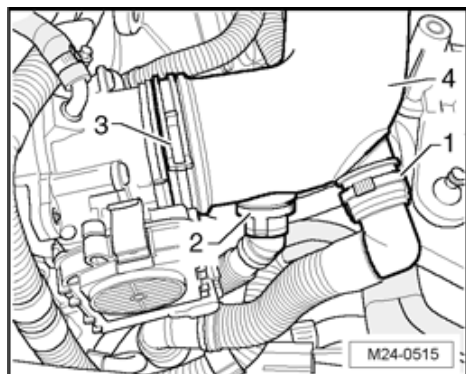
- Remove engine cover with air filter ⇒ [Engine Cover with Air Filter](#) .
- Remove battery ⇒ Electrical Equipment - Repair Group 27 .



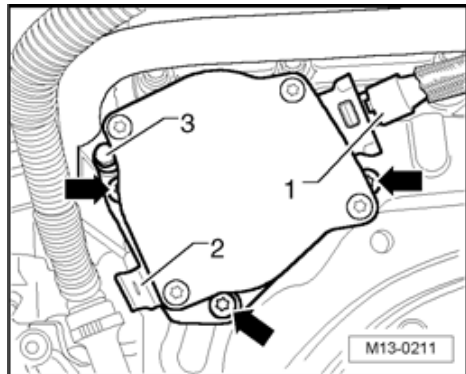
- Open cover - **1** - of E-box and remove wire - **2** - .
- Remove bolts - **arrows** - and remove battery holder from vehicle.



- Remove intake air connection on lock carrier - **arrows** - .



- Remove intake hose - **4** - . To do so, disconnect air hoses - **1** - , if present, and - **2** - (compress securing ring) and remove spring clamp - **3** - .

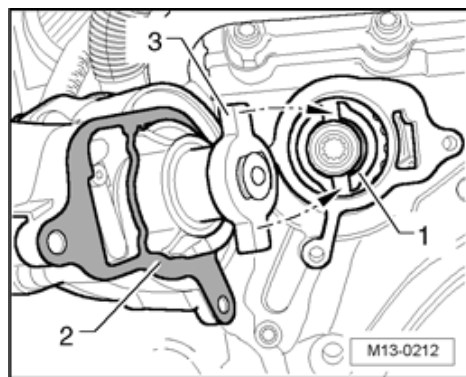


- Unclip wiring harness from bracket - **2** - .
- Remove bolt - **3** - for coolant pipe.
- Disconnect vacuum hose - **1** - .
- Remove 3 bolts - **arrows** - and remove vacuum pump.

#### Note:

- ◆ The 4 cover bolts must not be loosened under any circumstances!
- Remove old gasket.

#### Installing



- Place new gasket - **2** - on to vacuum pump.
- Place vacuum pump coupling plate - **3** - so that it engages into symmetrical groove of double chain sprocket (drive wheel) - **1** - - **arrows** - when installing vacuum pump.
- Tighten mounting bolts.

The rest of installation follows the reverse of the removal procedures.

- Install battery ⇒ Electrical Equipment - Repair Group 27 .

### Tightening specifications

Component	Nm
Vacuum pump to control housing cover	10
Coolant pipe to bracket	10

Copyright © 2008 Volkswagen of America, Inc. and Bentley Publishers. All rights reserved. Last processed: